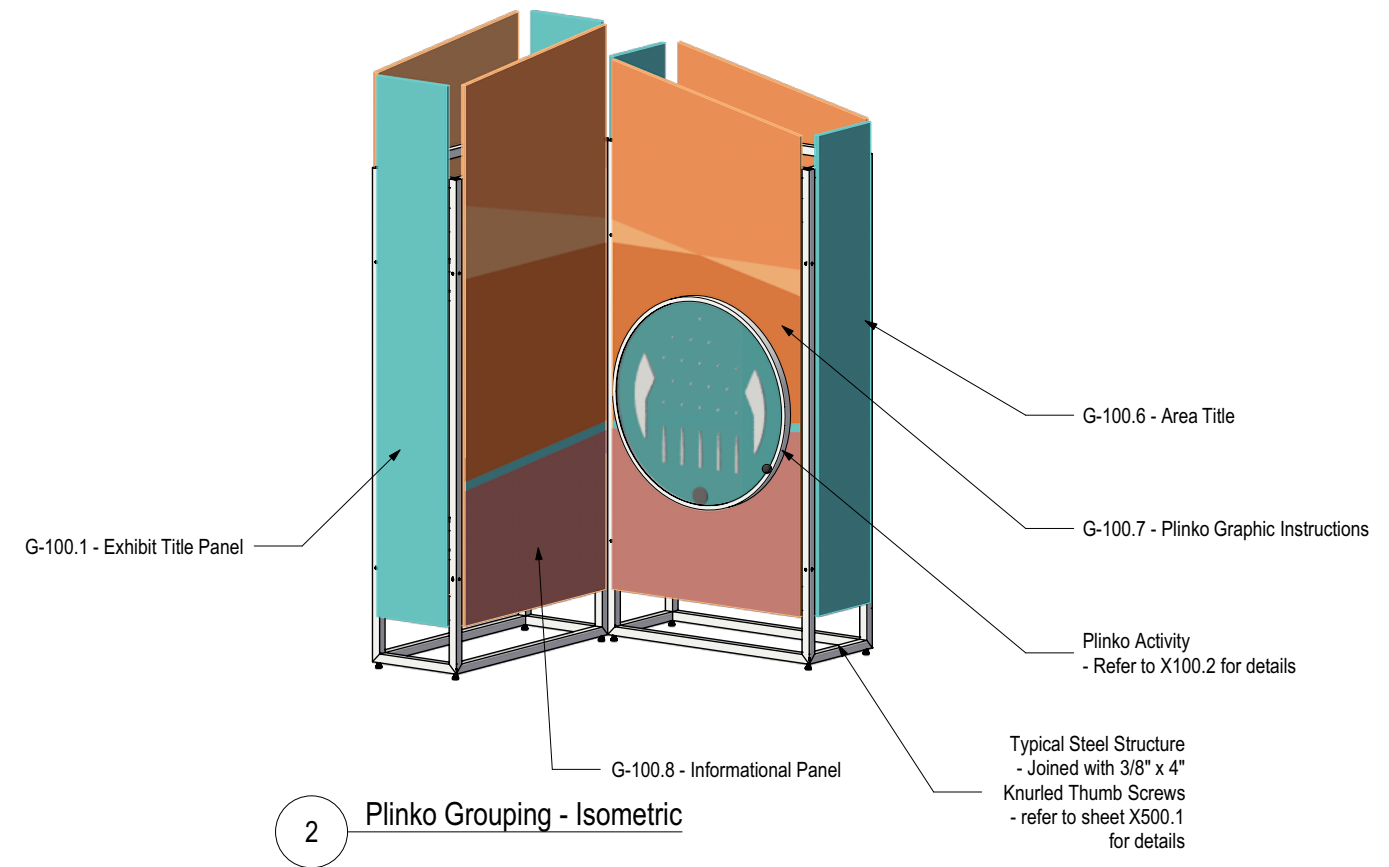
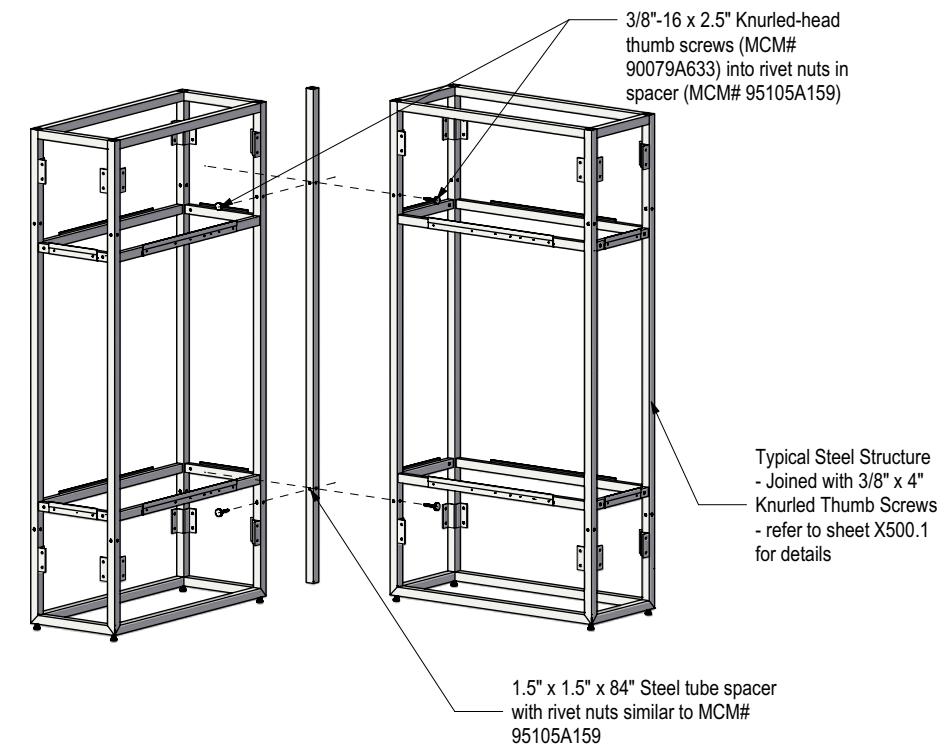


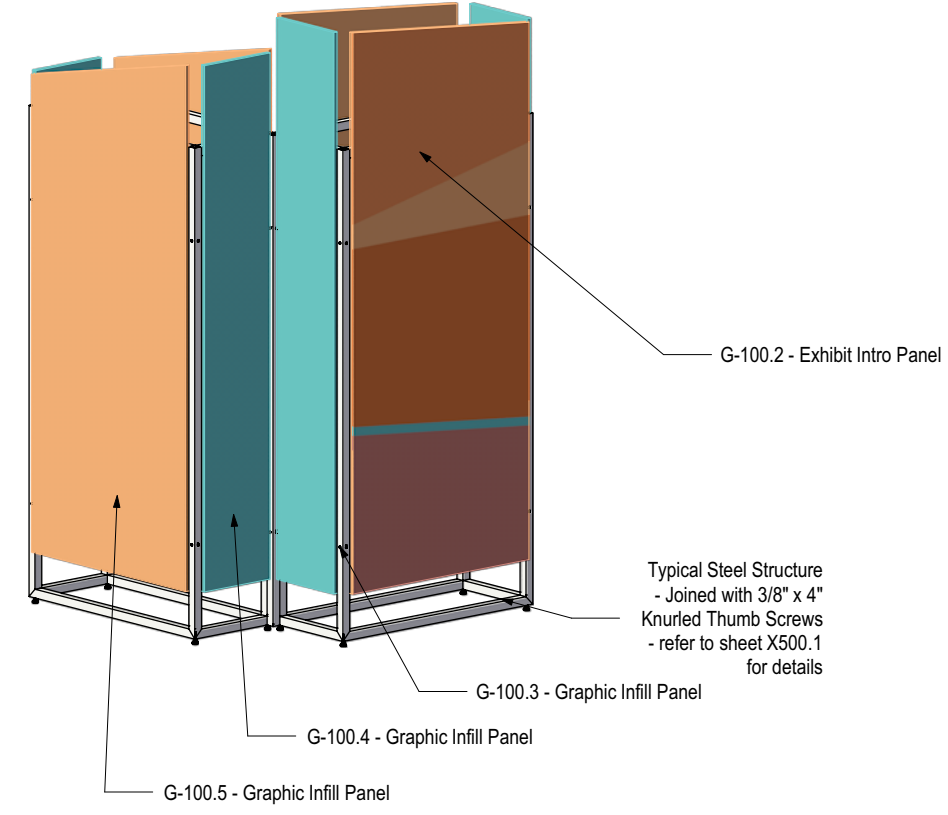
1 Plinko Grouping - Plan View
Scale: 1/2" = 1'-0"



2 Plinko Grouping - Isometric



4 Plinko Grouping - Structure Connection



3 Plinko Grouping - Isometric

Note: Refer to Graphics Section for all graphic production specs
Note: All graphic panels are cleat mounted to steel structures and secured with fasteners from behind.



WE ARE WATER



Address
7001 Discovery Boulevard
Dublin, Ohio 43017
United States

Telephone
+1 614 760 8690

Website
roto.com

Confidential
© 2020 Roto

These drawings are solely for expressing visual design intent and are not to be used for actual fabrication.

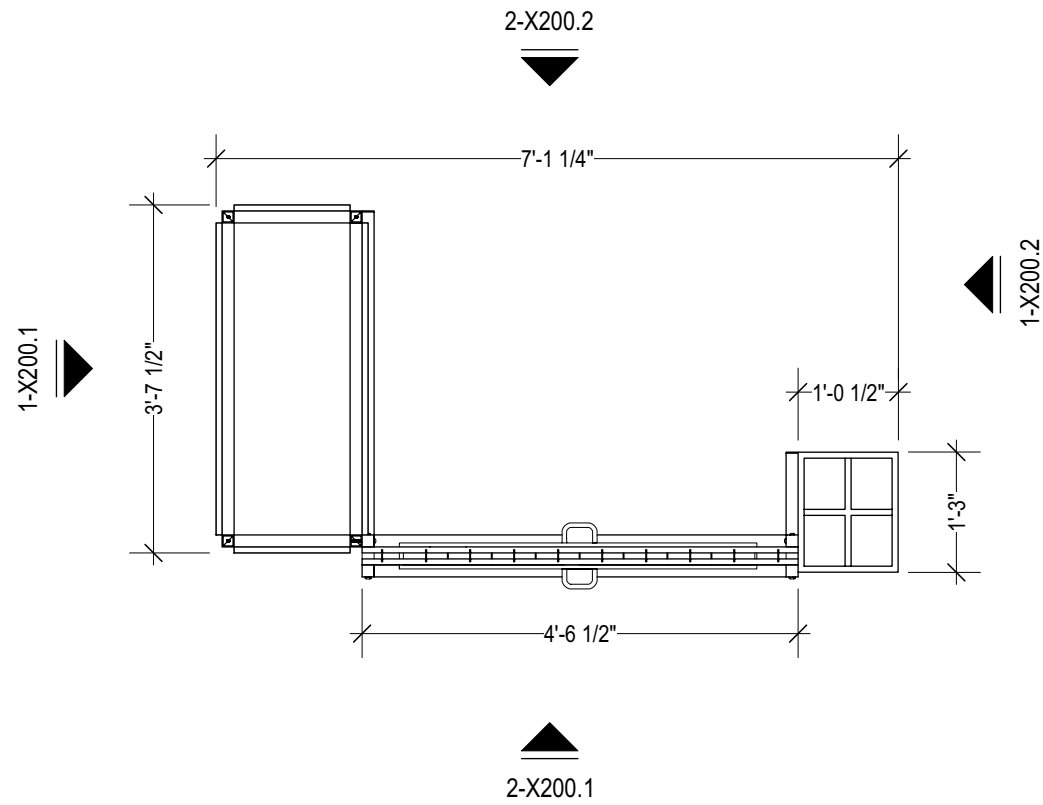
ISSUE DATE
April 2021

REVISION DATE

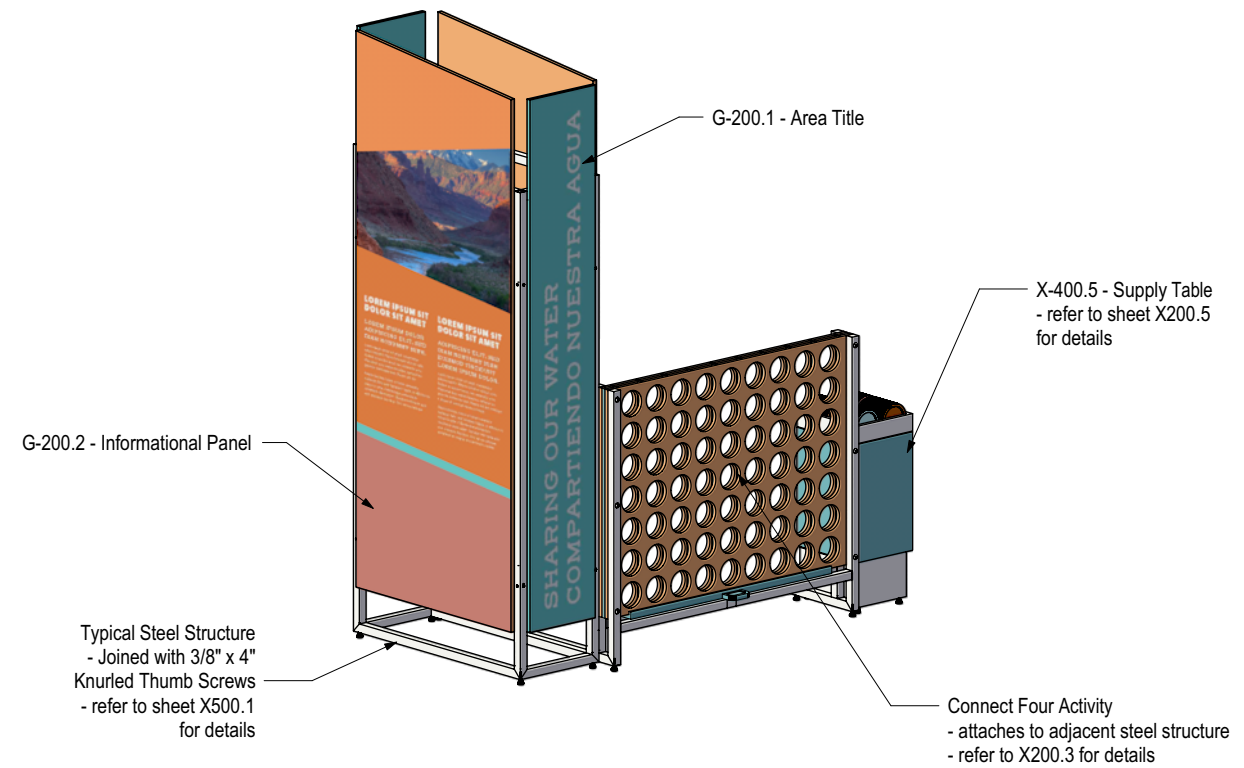
PROJECT PHASE
95% Detail Design

TITLE
Plinko - Overview

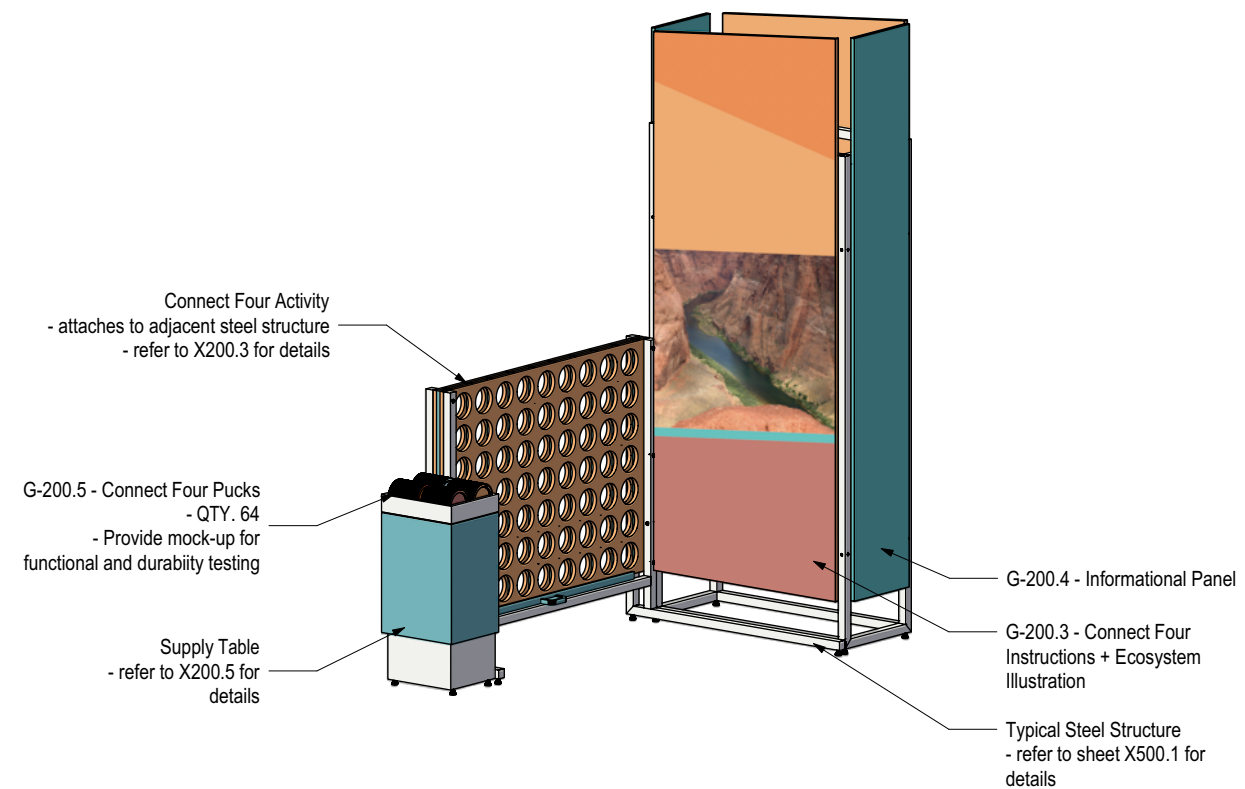
DRAWING NUMBER
X100.0



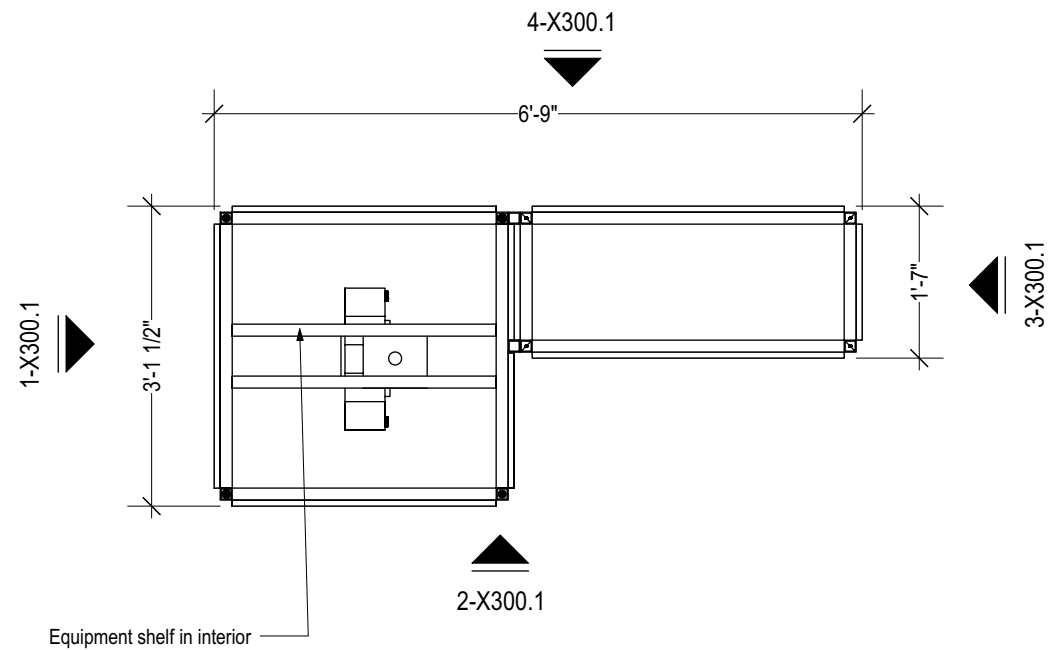
1 **Connect Four Grouping - Plan View**
Scale: 1/2" = 1'-0"



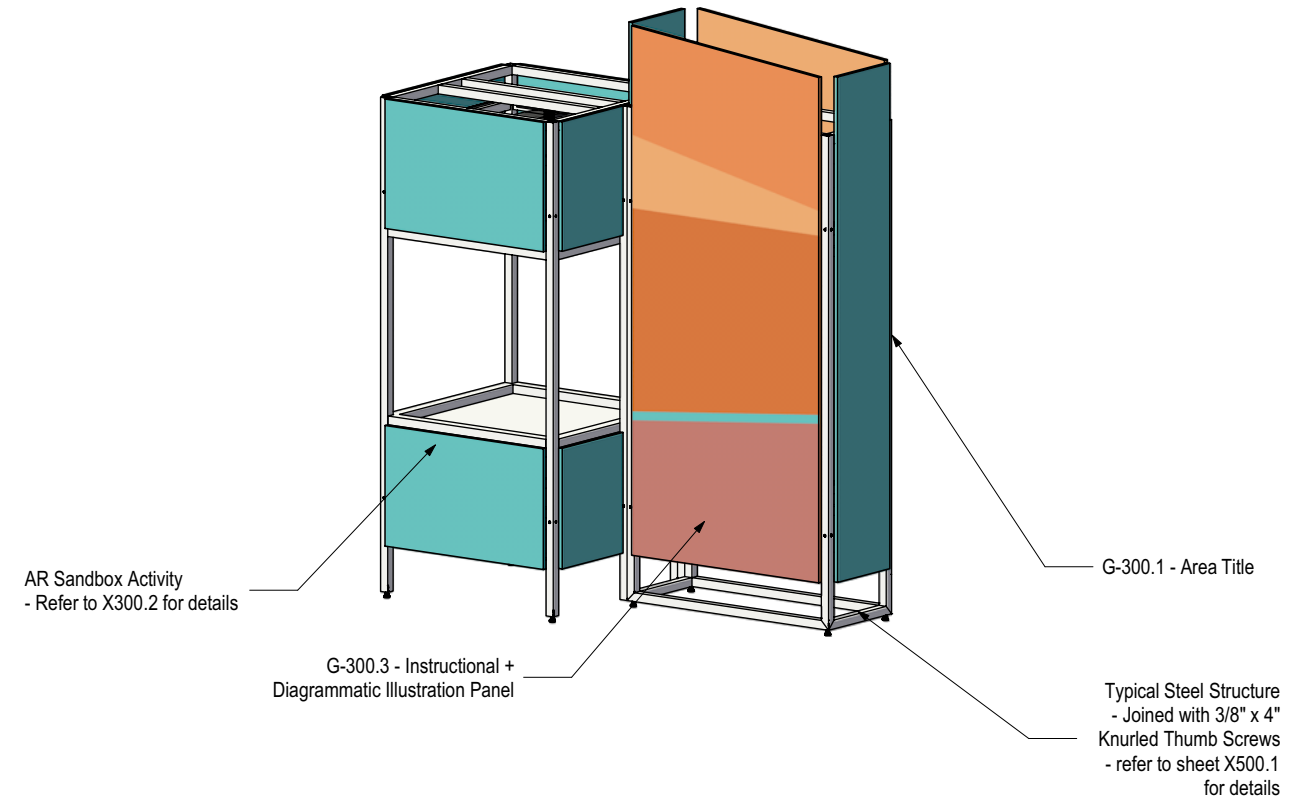
3 **Connect Four Grouping - Isometric**



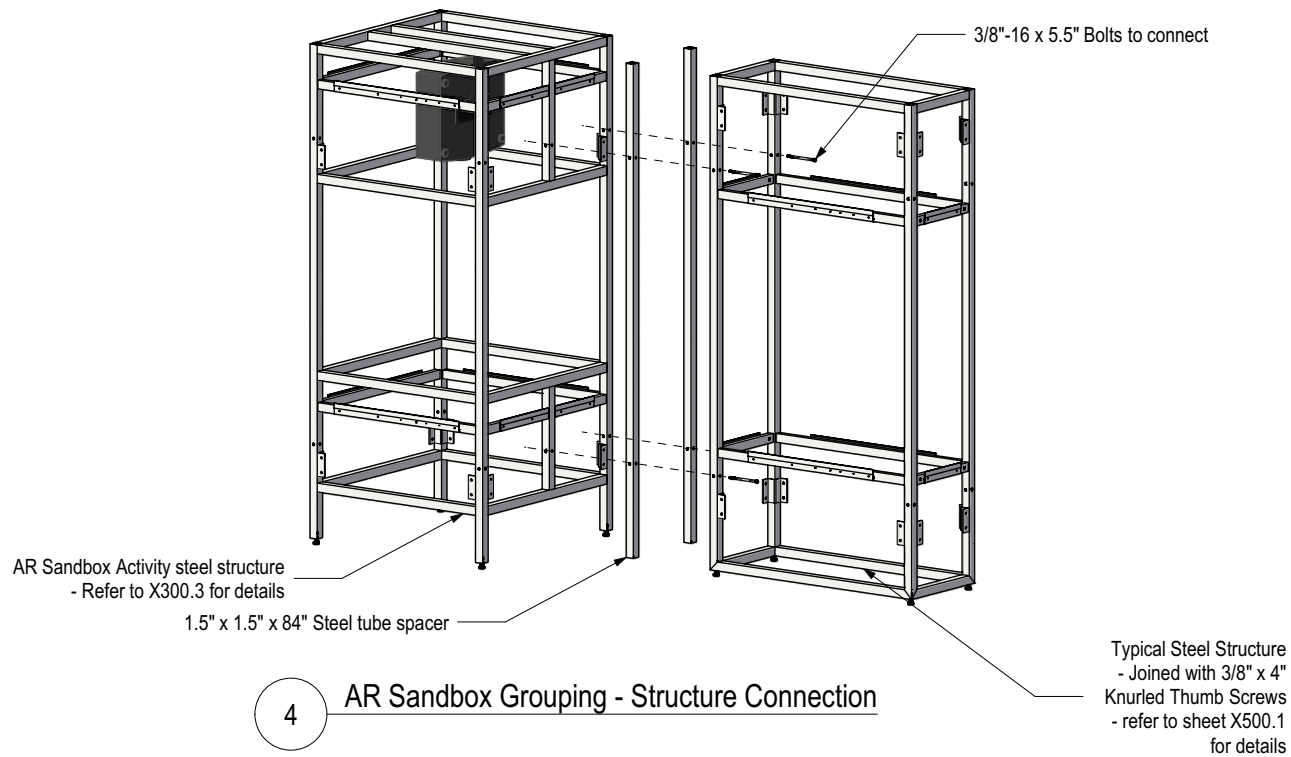
2 **Connect Four Grouping - Isometric**



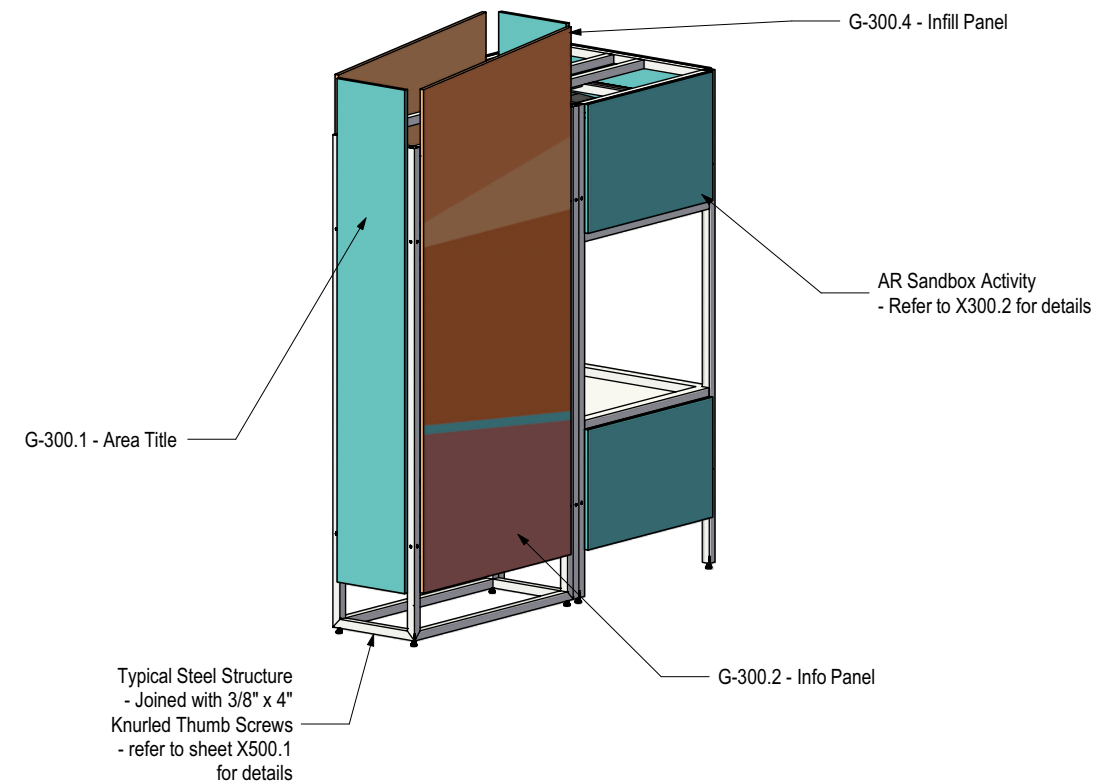
1 AR Sandbox Grouping - Plan View
Scale: 1/2" = 1'-0"



2 AR Sandbox Grouping - Isometric

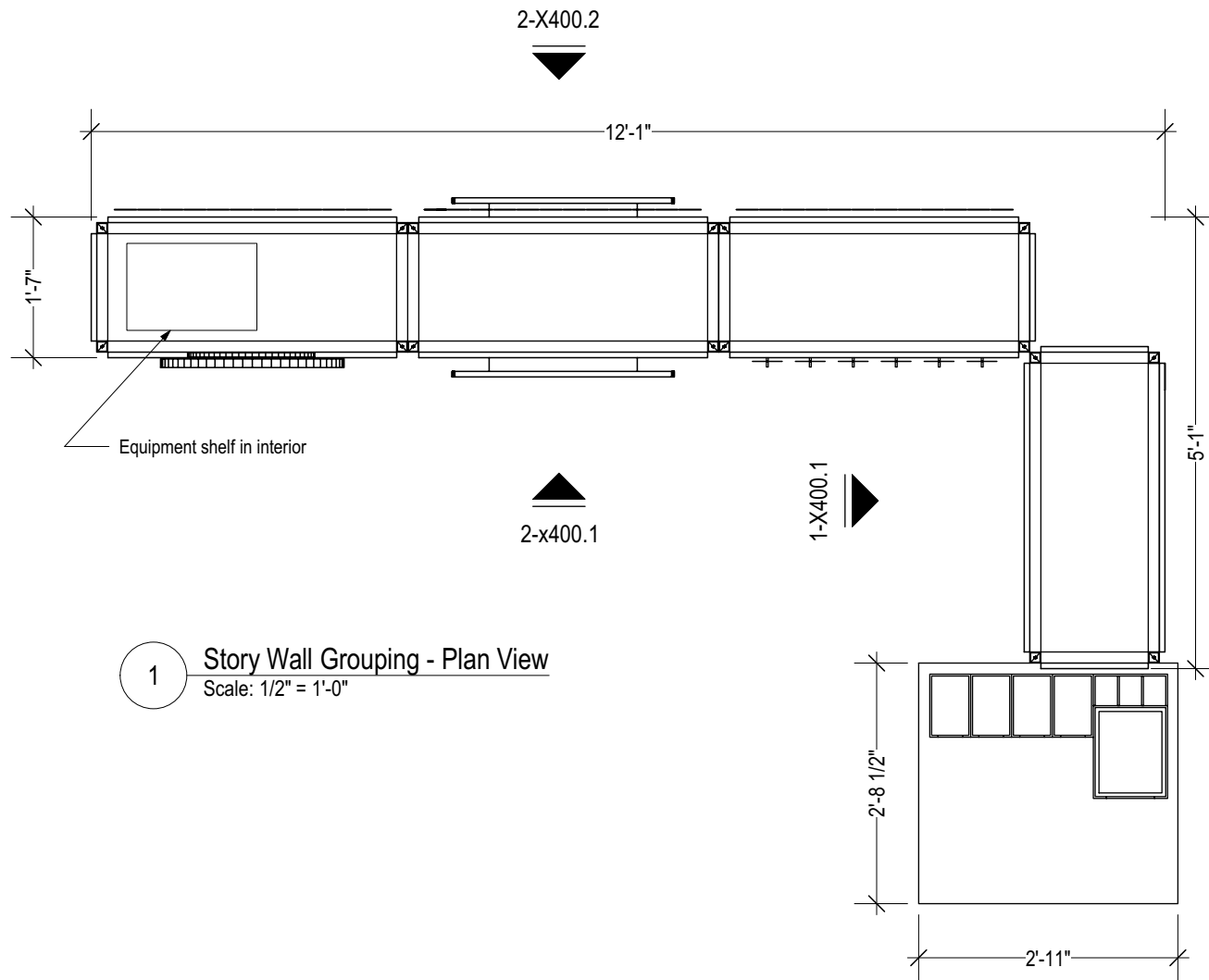


4 AR Sandbox Grouping - Structure Connection

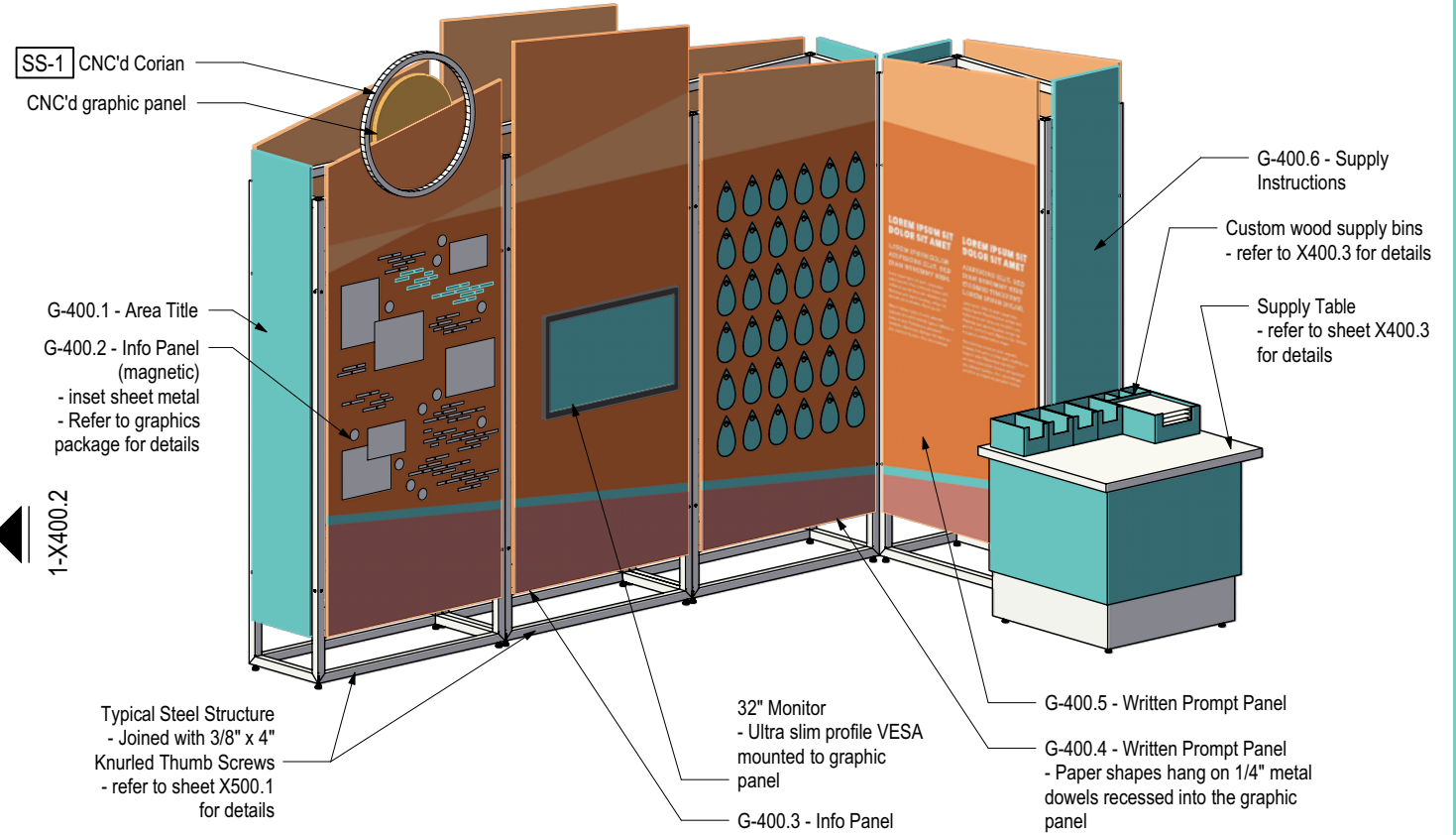


3 AR Sandbox Grouping - Isometric

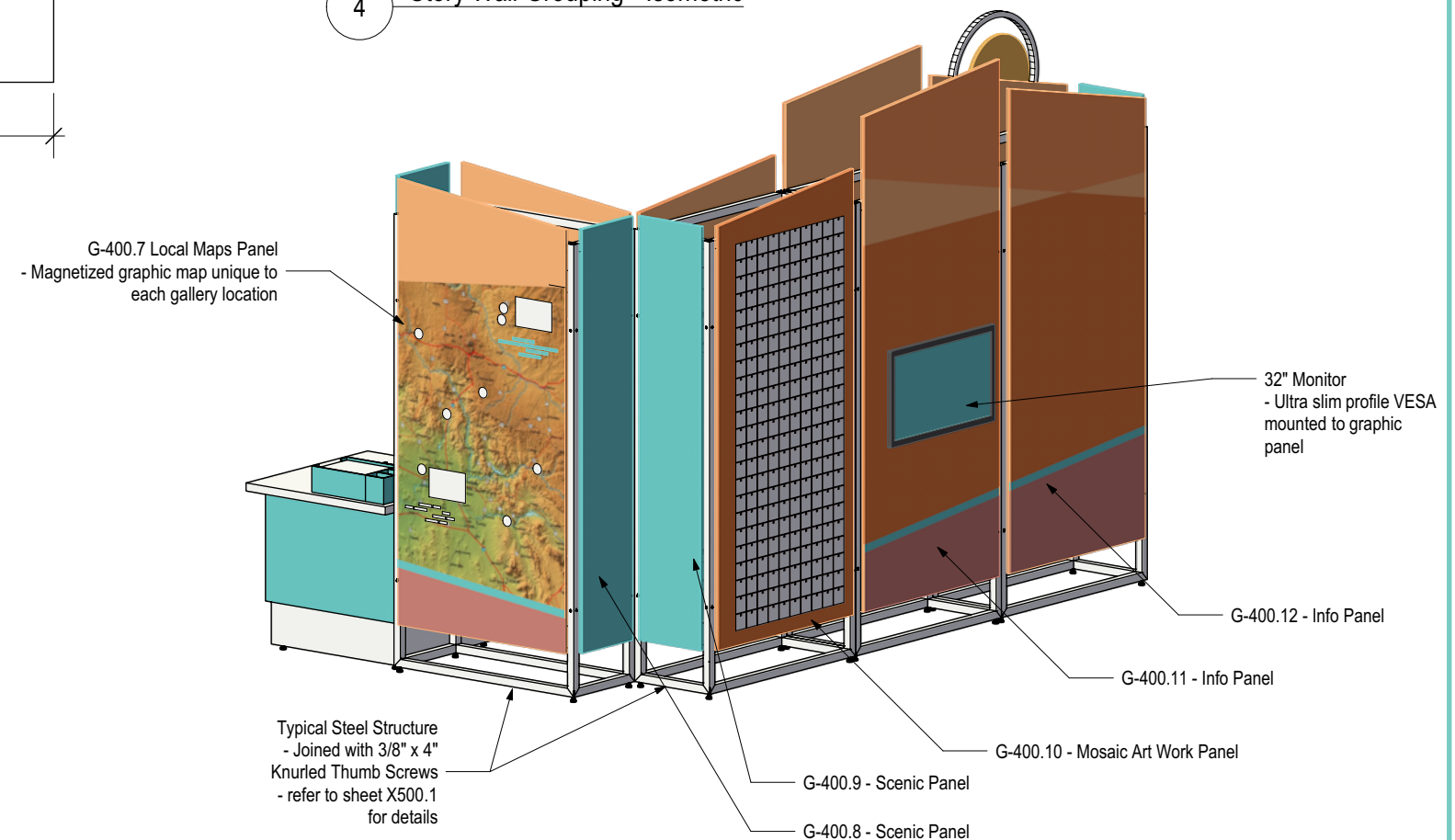
Note: Refer to Graphics Section for all graphic production specs
Note: All graphic panels are cleat mounted to steel structures and secured with fasteners from behind.



1 Story Wall Grouping - Plan View
Scale: 1/2" = 1'-0"



4 Story Wall Grouping - Isometric



2 Story Wall Grouping - Isometric

Note: Refer to Graphics Section for all graphic production specs

Note: All graphic panels are cleat mounted to steel structures and secured with fasteners from behind.